

BIKE RACK

Designer: Aaron Tuck



SLAT OPTIONS

- Oiled hardwood

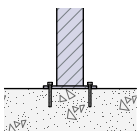
FRAME OPTIONS

- Hot dip galvanised mild steel
- 316 Stainless steel

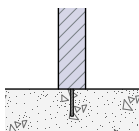
FRAME FINISHES

- Powdercoat
- #4 Brushed

INSTALLATION



Bolt Down



Concealed Fix

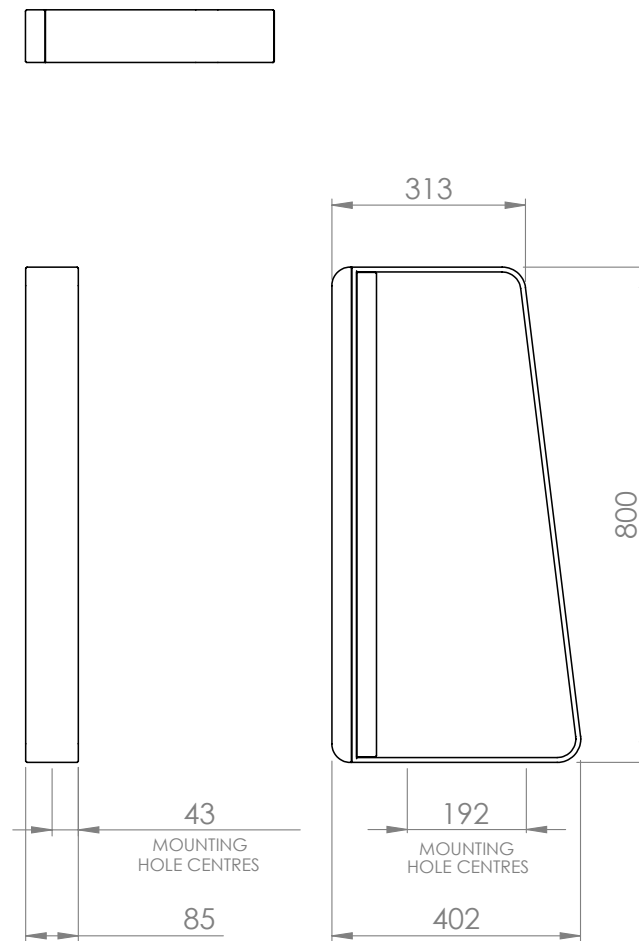
FIXINGS

- 12mm fixings for 14mm diameter holes

Alternative materials and finishes available on request

GATEWAY BIKE

SPECIFICATIONS



All measurements are in millimetres. Drawings are not to scale
Dimensions shown are for timber slat option.

PRODUCT CODE	FRAME OPTIONS	FINISH OPTIONS
GAT008-HDG-PC-T	Hot dip galvanised	Powdercoat
GAT008-S16-N4-T	316 Stainless steel	#4 Brushed